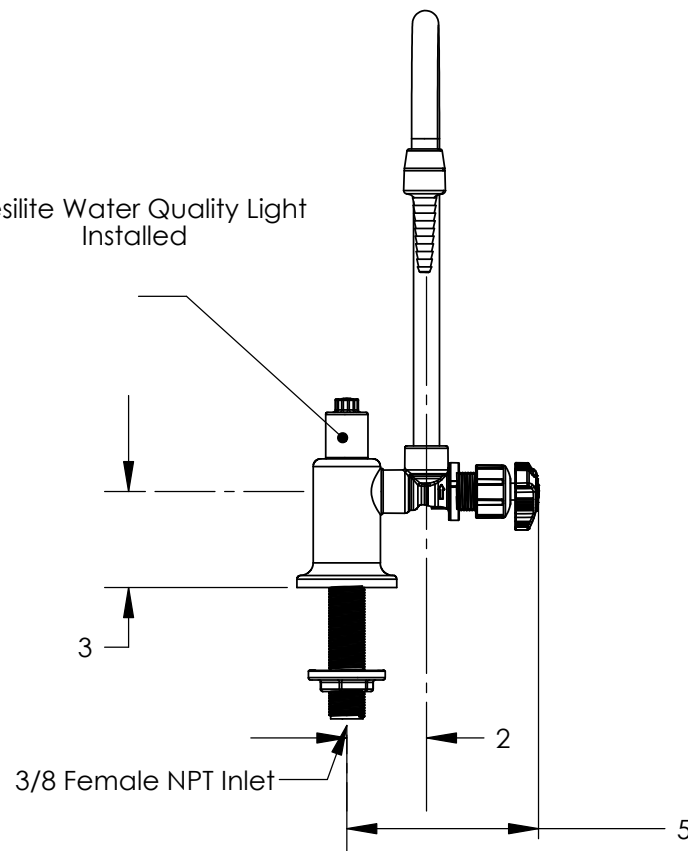


Resilite Water Quality Light Installed



Require 1" Diameter Hole for Mounting

**PROPRIETARY AND CONFIDENTIAL**  
 THE INFORMATION CONTAINED IN THIS DRAWING IS THE SOLE PROPERTY OF MARQUEST SCIENTIFIC, INC.. ANY REPRODUCTION IN PART OR AS A WHOLE WITHOUT THE WRITTEN PERMISSION OF MARQUEST SCIENTIFIC, INC. IS PROHIBITED.

UNLESS OTHERWISE SPECIFIED:	
DIMENSIONS ARE IN INCHES	
TOLERANCES:	
FRACTIONAL ±	
ANGULAR: MACH ± BEND ±	
TWO PLACE DECIMAL ±	
THREE PLACE DECIMAL ±	
INTERPRET GEOMETRIC TOLERANCING PER:	
MATERIAL	
FINISH	
DO NOT SCALE DRAWING	

NAME	DATE
DRAWN	
CHECKED	
ENG APPR.	
MFG APPR.	
Q.A.	
COMMENTS:	

Marquest Scientific, Inc. 1702 East Via Burton, Anaheim, CA 92806		
TITLE: Laboratory Gooseneck Faucet Deck Mount with Valve, PVC, Right Handed Quality Light Installed		
SIZE <b>A</b>	DWG. NO. LG-DNQL-R1	REV
SCALE: 1:8	WEIGHT:	

5 4 3 2 1