

AQUIS™ (ANG) PVDF NITROGEN AIR GUN



**0.80 um PVDF
Nitro Filter Included**

Features & Benefits

- The AQUIS Nitrogen Gun provides for the dispensing of nitrogen or other inert gases in high purity and corrosive applications
- All flow path surfaces are injection molded high purity, virgin PVDF or precision machined, Modified PTFE
- The proven piston / poppet component, precision machined from modified PTFE, provides all the sealing functions while offering exceptional cycle life.
- No O-ring or elastomeric seals
- Removable/ reversible hanger component
- A cap / nozzle provides even distribution of compressed nitrogen or other inert gases for drying or other uses. Integral pressure relief feature prevents excessive pressure buildup should the outlet orifice be blocked.
- Available connection options include 1/4" female NPT, 3/8" female NPT and 3/8" flare tube
- Other options include coiled or straight tubing of different sizes and materials.

Product Overview

The AQUIS Nitrogen Gun provides for the dispensing of nitrogen or other inert gases in high purity or hostile chemical environments. The design features a precision molded, all virgin high purity PVDF body and a one piece multi-purpose sealing component precision made of Modified PTFE material which isolates the flow to a pure path while performing the off sealing function. The excellent flexibility of this sealing component provides exceptional cycle life. All flow path surfaces are PVDF and Modified PTFE, eliminating any o-ring or other elastomeric seals. The Aquis Nitrogen Gun is available with any of 3 connections, 1/4" female NPT, 3/8" female NPT or 3/8" flare. Other options include coiled tubing of different sizes and materials.

Technical Data

Features

Process Medium	Compressed Nitrogen or other Inert Gases
Operating Pressure	1 psi ... 80 psi (5.5 bar)
Process Temperature	0° F ... +200° Fahrenheit (Fluid)
Flow Data*	0 ... 120 f ³ /hr Full Open @ 80 psi
Codes & Standards:	ARRA Section 1605 "Buy American" Compliant ASME A112.18.1M

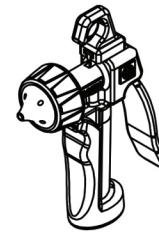
Mechanics / Construction

Inlet Connections	1/4" Female NPT, 3/8" Female NPT, or 3/8" Flare
Wetted (Dry) Components	Spray Gun Body: 100% Virgin PVDF Diaphragm Poppet: Modified PTFE
Non-Wetted Components	Lever Handle: Black PVDF Hanger Hook: Black PVDF Spring: 316 SS

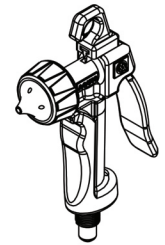
Ordering Information

Model ANG - Aquis PVDF Nitrogen Gun

Part Number	Description
ANG-01	PVDF Aquis Nitrogen Gun, 1/4" Fem NPT Inlet Thread
ANG-02	PVDF Aquis Nitrogen Gun, 3/8" Fem NPT Inlet Thread
ANG-03	PVDF Aquis Nitrogen Gun, 3/8" Flare Tube



ASG-01



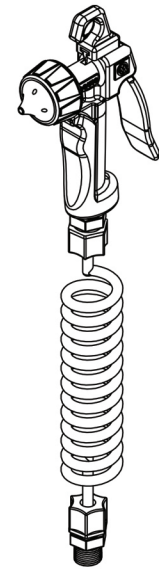
ASG-02



ASG-03

Model ANGA - Aquis PVDF Nitrogen Gun Assemblies (with Hose)

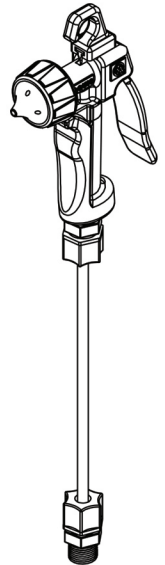
Part Number	Gun	Hose	Transition Fitting	Supply Fitting
ANGA-10	ANG-01	C2-FEP	JC3-22	JC3-22
ANGA-11	ANG-01	C2-PU	JC3-22	JC3-22
ANGA-20	ANG-02	C3-FEP	JC3-33	JC3-33
ANGA-21	ANG-02	C3-PU	JC3-33	JC3-33
ANGA-22	ANG-02	C3-PFA	JC3-33	JC3-33
ANGA-23	ANG-02	S3-PTFE	JC3-33	JC3-33
ANGA-30	ANG-03	C2-FEP	N/A*	FF-22
ANGA-31	ANG-03	C3-FEP	N/A*	FF-33
ANGA-32	ANG-03	C3-PFA	N/A*	FF-33
ANGA-33	ANG-03	S3-PFA	N/A*	FF-33



ASGA-X0

ASGA-X1

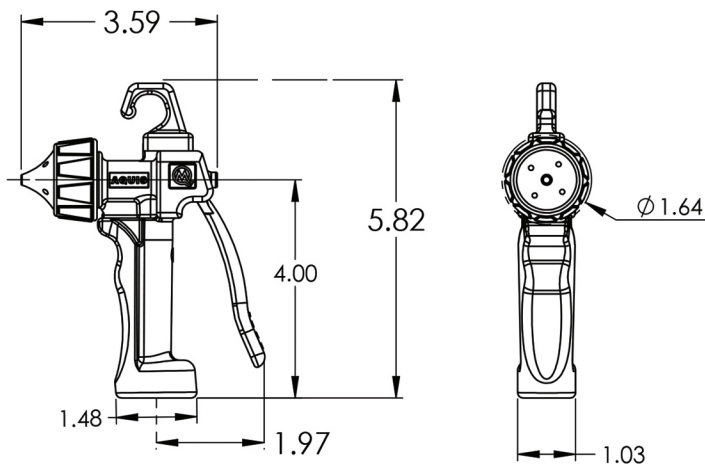
ASGA-X2



ASGA-X3

*Transition fitting is not provided. 3/8" flare tube connection is integrally molded to the body.

Dimensional Data (inches)



Flow

