

Precise Flow Control with Fine Adjustment of Corrosive and Ultra Pure Fluids

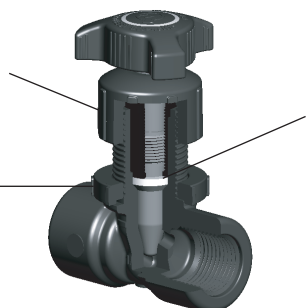
Throttle Master™ NEEDLE VALVES

Features & Benefits:

- **Needle Finish, SPI/SPE # 1**
Bubble tight, low torque shut-off
- **Proven three prong, star handle. Tri-Oval geometry**
Fast open/close operation
Fine metering control
- **24 pitch metering thread**
20% finer control adjustment
- **Integrally designed panel mounting**
No fasteners required
Mounts to panel thicknesses from .031 to .500
- **PTFE Sealed**
Chemical resistance
High Purity
- **No Elastomers (O-rings), metals or lubricants**
No corrosion
No contamination
- **Materials of Construction**
PVC: NSF Std 14 & 61 Compliant
CPVC: NSF Std 14 & 61 Compliant
PP: Natural (Unpigmented), Reinforced
PVDF: NSF Std 14 & 61 Compliant

Cap acts as a gland nut. Any seal wear is compensated for by simple hand tightening.

Panel Nut Ring for easy mounting to bracket or panel.



PTFE Seal isolates stem thread from fluid.

Materials: PVC, CPVC, PP, & PVDF

Connection Sizes: 1/4", 3/8", 1/2" Female NPT

*Solvent Socket, Fusion Socket, Flare & Compression
Tubing Connections Available!*



Why Marquest Scientific Throttle Master Needle Valves?

The Throttle Master line represents the latest in computer generated solid modeling and flow analysis. The developed metering chamber provides for the most reliable stabilization and linearity of flow. Ultimate cross sectional geometry allows the manufacturing process to attain full material property potentials for the most demanding applications.

Fields of Application:

Wet Processing, Waste Water Treatment, Chemical Feed Systems, Commercial Industrial RO Systems, Wet Benches & Fume Hoods, Plating Equipment, Water Purification, Photographic Processing, Car Wash, Farming, Dialysis Systems, Pharma Processing, Semi Fab Wafer Manufacturing.



Custom Handles & Colored Ring Inserts are Available.
Please Contact our Sales Department



MARQUEST SCIENTIFIC
Fluid Handling Products

- Body**
- **PVC:** Polyvinyl Chloride
 - **CPVC:** Chlorinated Polyvinyl Chloride
 - **PP:** Polypropylene, unpigmented homopolymer, glass & mineral reinforced
 - **PVDF:** 100% Virgin Polyvinylidene Flouride

- Seal**
- Virgin PTFE

- Choice of three sizes**
- 1/4" x 1/4" Female NPT
 - 3/8" x 3/8" Female NPT
 - 1/2" x 1/2" Female NPT

 Solvent Socket, Fusion Socket, Compression & Flare Tubing Connections Available. Please Contact us Toll Free at (866) 452-2349 for Ordering Information.

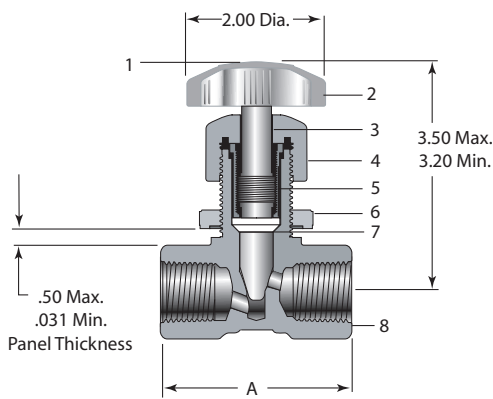
DIMENSIONAL DATA - inches

Dimensions

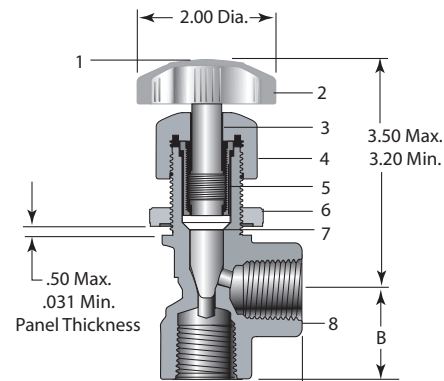
Size	A	B	C
1/4" FNPT	2.31	1.16	1.17
3/8" FNPT	2.39	1.19	1.21
1/2" FNPT	2.65	1.31	1.32

Parts List

- | | |
|-------------------------|---------------------|
| 1. Colored Ring Inserts | 5. Threaded Insert |
| 2. Handle | 6. Panel Nut |
| 3. Needle | 7. PTFE Teflon Seal |
| 4. Cap | 8. Body |

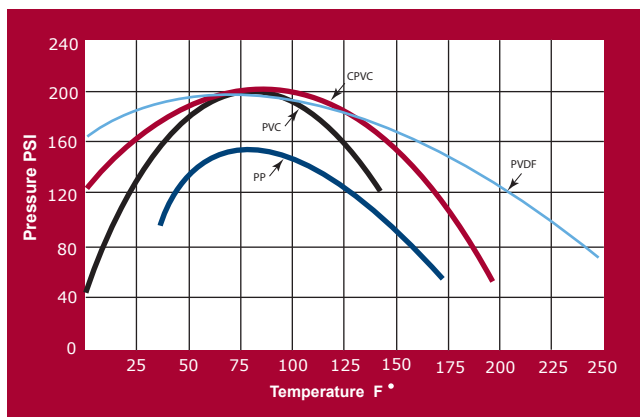


Globe Pattern



Angle Pattern

PRESSURE/TEMPERATURE RANGE



HOW TO ORDER

NG - 500 - PVC

NG = Globe Pattern NA = Angle Pattern	250 = 1/4" FNPT 375 = 3/8" FNPT 500 = 1/2" FNPT	PVC = Polyvinyl Chloride CPV = Chlorinated Polyvinyl Chloride PPR = Polypropylene, unpigmented homopolymer, glass & mineral reinforced PVD = PVDF, Polyvinylidene Flouride
--	---	---

Example Part Number: **NG-500-PVC**
 Globe pattern with 1/2" Female NPT connections and a Polyvinyl Chloride Body

Flow Data

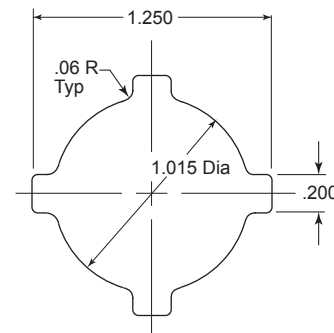
	1/4" & 3/8"		1/2"	
	Globe Pattern	Angle Pattern	Globe Pattern	Angle Pattern
Inlet	0.187"	0.250"	0.218"	0.250"
Outlet	0.187"	0.187"	0.218"	0.218"
Cv	0.310	0.426	0.620	0.780

*A flow calculator is available on our website. Please contact us

Toll Free at (866) 452-2349 with Technical Questions.

Mounting Template

When required, the template provides the outline of the hole and orientation slots for a panel or bracket mounting. The orientation slots may be cut in multiple positions to allow versatility in mounting the valve to accommodate the piping alignment requirements.



Please Visit Us at:

WWW.MARQUESTSCIENTIFIC.COM

WWW.NEEDLEVALVES.US



MARQUEST SCIENTIFIC

Fluid Handling Products

2950 Airway Avenue, Bldg C-5, Costa Mesa, CA 92626

Toll Free: (866) 452-2349 Fax: (714) 491-9199

E-mail: sales@marquestscientific.com

Web: www.marquestscientific.com