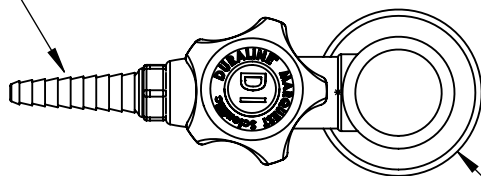
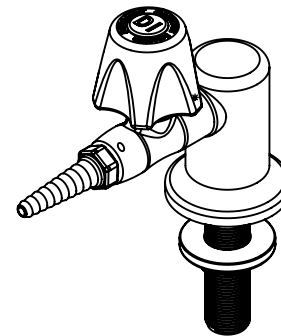


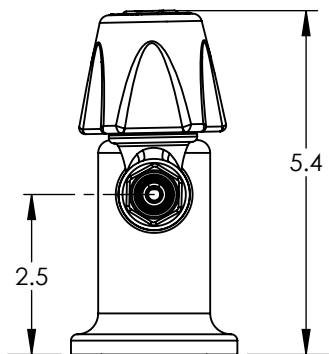
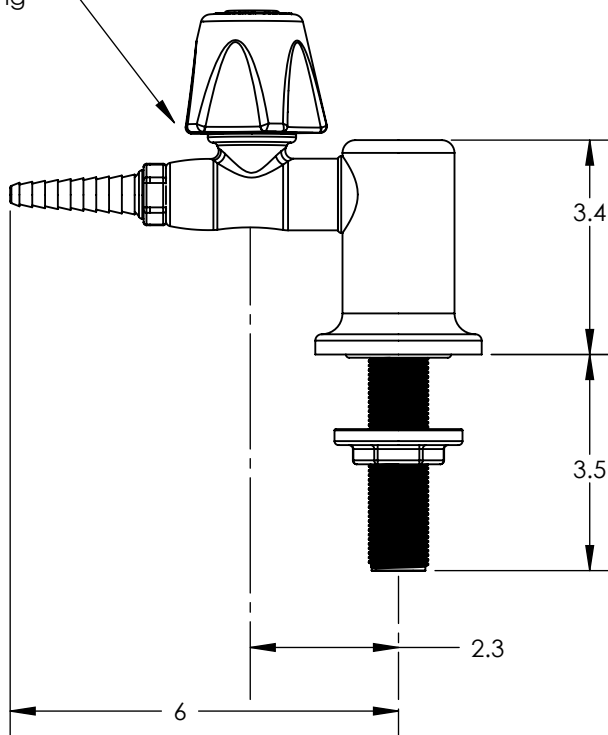
Removable Barb Tip  
Leaves 1/4" Female NPT



Ø2.6



Duraline Control valve  
Fast Acting



Casual Water Seal

Requires 1" Diameter  
Hole for Mounting

3/8" Female NPT  
Inlet Connection

Designer		
Review		
Engineer		

TITLE:  
Lab Turret Fixture, Deck or Wall Mount,  
Duraline Control Valve, Handle on Top,  
PVC



DWG. NO. LT-V-T1 REV

UNLESS OTHERWISE SPECIFIED  
DIMENSIONS ARE IN INCHES

2950 Airway Avenue, Costa Mesa, CA 92626

SCALE: N/A

Format: SD

SHEET 1 OF 1